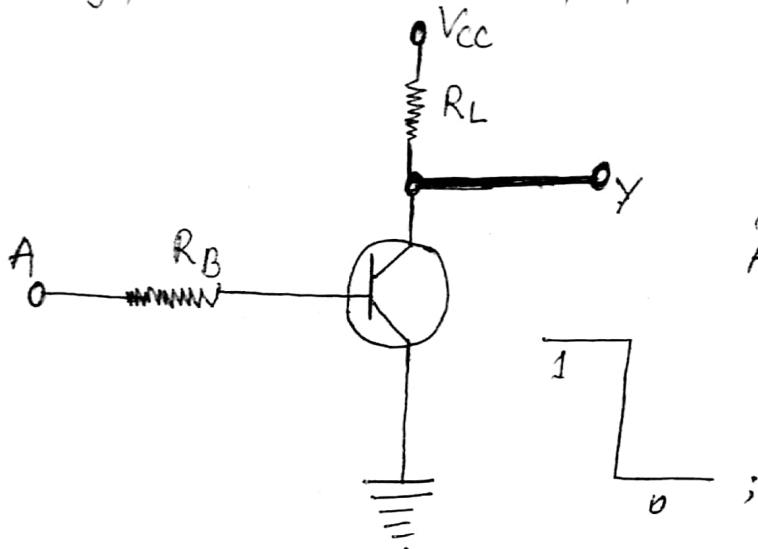
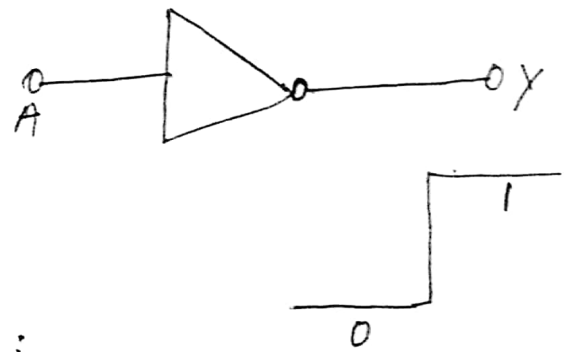


→ NOT GATE (Negator or Inverter):-

It has one input & one output.



3(a). NOT. CKT



(b) Symbol of NOT gate

If input is low (0-state) output will be high (1-state) and vice-versa. This ckt. is called inverter or Negator or NOT gate.

If the input voltage is high enough to saturate the transistor (Fig-30a), the output is held at low value. If the input is low, the transistor becomes cut-off and output is high.

TRUTH TABLE

<u>Input</u>	<u>output</u>
<u>A</u>	<u>B</u>
0	1
1	0