

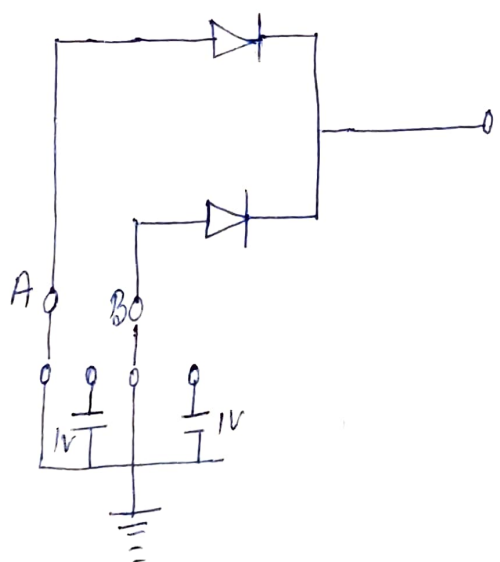
Logic gates

The digital ckt. that can be analyzed with the help of Boolean algebra is called Logic Gate or Logic ckt, OR, AND, NOT, and Flip-flop are the most commonly used logic gates.

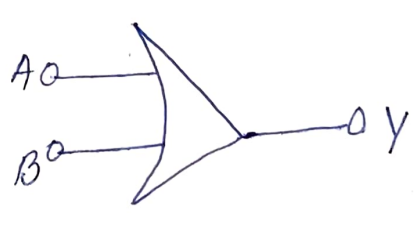
→ OR GATES! - This has two or more input and one output. OR gate configuration with diode known as diode Logic (DL) & with transistor is called Transistor Logic (TL). output = Sum of input

$$Y = A + B + \dots$$

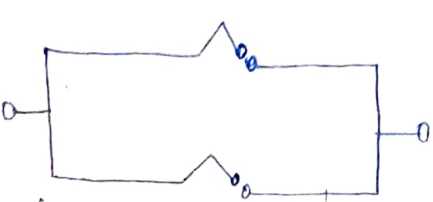
Output is obtained by when any of input is in 'on' state.



(a) Two input OR gate



(b) Symbol of OR gate



(c) Electrical

TRUTH TABLE

Input		output
A	B	$Y = A + B$
0	0	0
0	1	1
1	0	1
1	1	1